



BALCONY & TERRACE  
**RIGID AND MULTI-PURPOSE BOW AWNINGS**



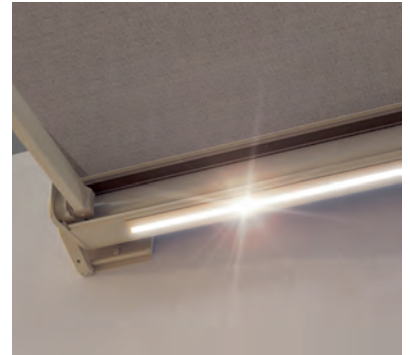
# TENDABOX BX3000



Round or square design



Drop down valance



LED lighting

- Sealed box protects from the elements
- Various mounting options to the wall, below the ceiling or to the frames
- Simple and proven installation system for hanging
- Awning incline adjustable from 0° to 85°
- Choice of square or round design
- Optional cover to hide cover roller shaft
- Optional drop down valance with rounded box: Acrylic cover to max. 120 cm and Soltis 86/Soltis 92 to max. 170 cm high. Improved winding thanks to the floating system (floating roller)
- Optional LED lighting for the box
- Optional wall joint profile prevents rain water entering between façade and awning



min. 195 cm  
max. 650 cm



min. 150 cm  
max. 400 cm\*

\* with drop down valance max. 350 cm projection;  
with gearbox max. 600 cm width x 400 cm projection



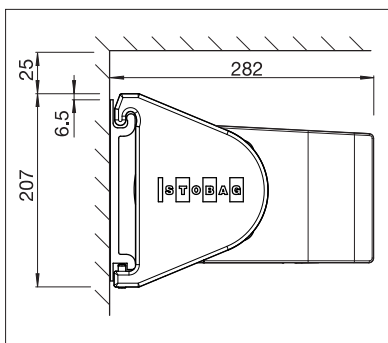
max. 50 km/h



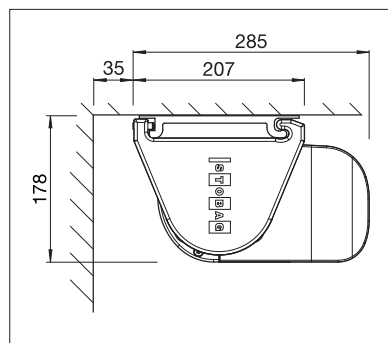
max. 39 km/h  
with drop down valance



Technical dimensions in millimetres



Wall installation, Square design



Top installation, Round design



EN 13561



REGISTRATION  
REQUIRED



## COLOURS

Discover the diverse options when selecting frame colours.



## FABRICS

Choose from a comprehensive range of materials and colours.



## ELECTRICS

More convenience thanks to the automated control and lighting systems.

More information at [www.stobag.com](http://www.stobag.com)

