



WINDOW & FACADE

**DROP-ARM AWNING WITH FREELY-SELECTABLE
PROJECTION ANGLE FROM 0° BIS 170°**



METRO S3110 | FS4200 BOX



FS4200 Square or round box



S3110 No box



FS4200 Coupling systems

- Drop angle up to 90° or 170° (FS4200 150°)
- Attractively shaped awning for wall and ceiling mounting
- Drop arm suitable for soffit and facade mounting (S3110)
- Lateral movement of the drop arm possible (S3110)
- Variable sun protection without the feeling of being separated
- Creates a pleasantly warm atmosphere through the combination of sunlight and material colours
- Manual operation from inside the room using wall breakthrough and gear unit / joint plate (FS4200)
- Coupling options for max. 2 units (FS4200)
- Choice of round or square self-supporting protective box (FS4200)

S3110

	min.	50 cm
	max.	450 cm
	min.	50 cm
	max.	175 cm

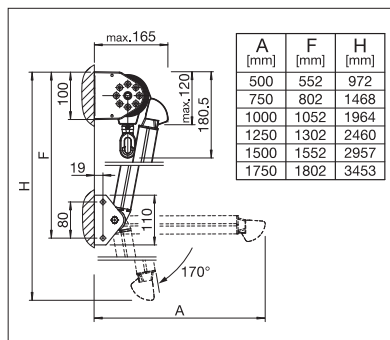


FS4200 BOX

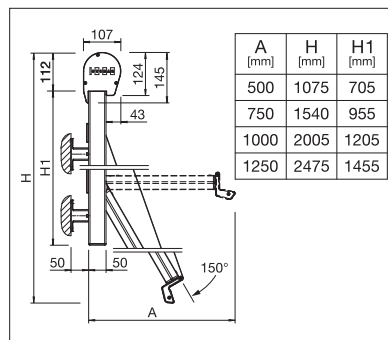
	min.	40 cm
	max.	450 cm
	min.	50 cm
	max.	125 cm



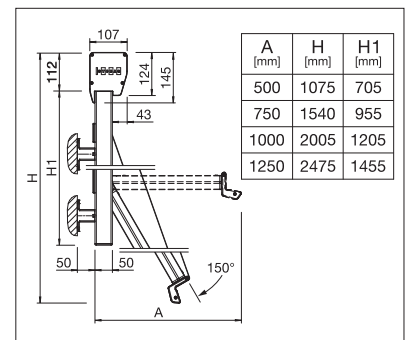
Technical dimensions in millimetres



S3110 Wall installation



FS4200 Round boxes



FS4200 Square boxes



ENREGISTREMENT
NÉCESSAIRE



COLORS

Discover the diverse options when selecting frame colours.



FABRICS

Choose from a comprehensive range of materials and colours.



ELECTRICS

More convenience thanks to the automated control and lighting systems.