



WINDOW & FACADE

COMPACT VERTICAL AWNING WITH ROUND PROTECTIVE BOX



UNIVERSAL US3510 | US3910



Wire rope guides



Rod guides



Guide rails

- Compact box system with round protective box
- Mounting options on to the wall, below the ceiling or in the soffit
- Various guide systems: Wire rope, rods or aluminium profile
- Elegant system for use before glass fronts or roofed terraces
- Manual operation through the wall possible using gear unit/joint plate
- Coupling options for max. 3 units

US3510

	min. 40 cm max. 400 cm
	min. 40 cm max. 250 cm

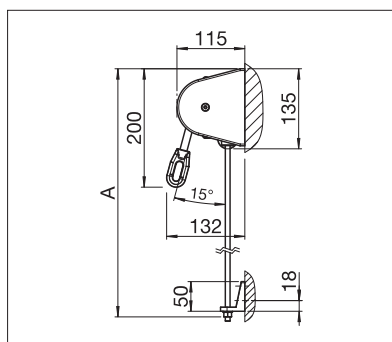


US3910

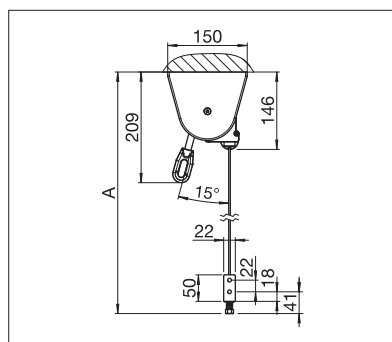
	min. 40 cm max. 450 cm
	min. 40 cm max. 400 cm*

*with cable/rod design to max. 300 cm high

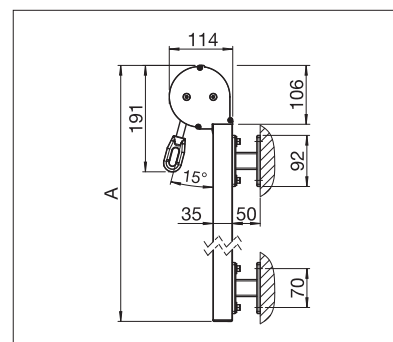
Technical dimensions in millimetres



US3510 Wall installation



US3910 Top installation



US3910 Offset wall mounting



REGISTRATION REQUIRED



COLORS

Discover the diverse options when selecting frame colours.



FABRICS

Choose from a comprehensive range of materials and colours.



ELECTRICS

More convenience thanks to the automated control and lighting systems.

More information at www.stobag.com

